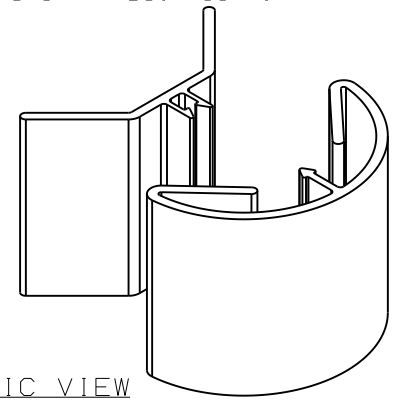
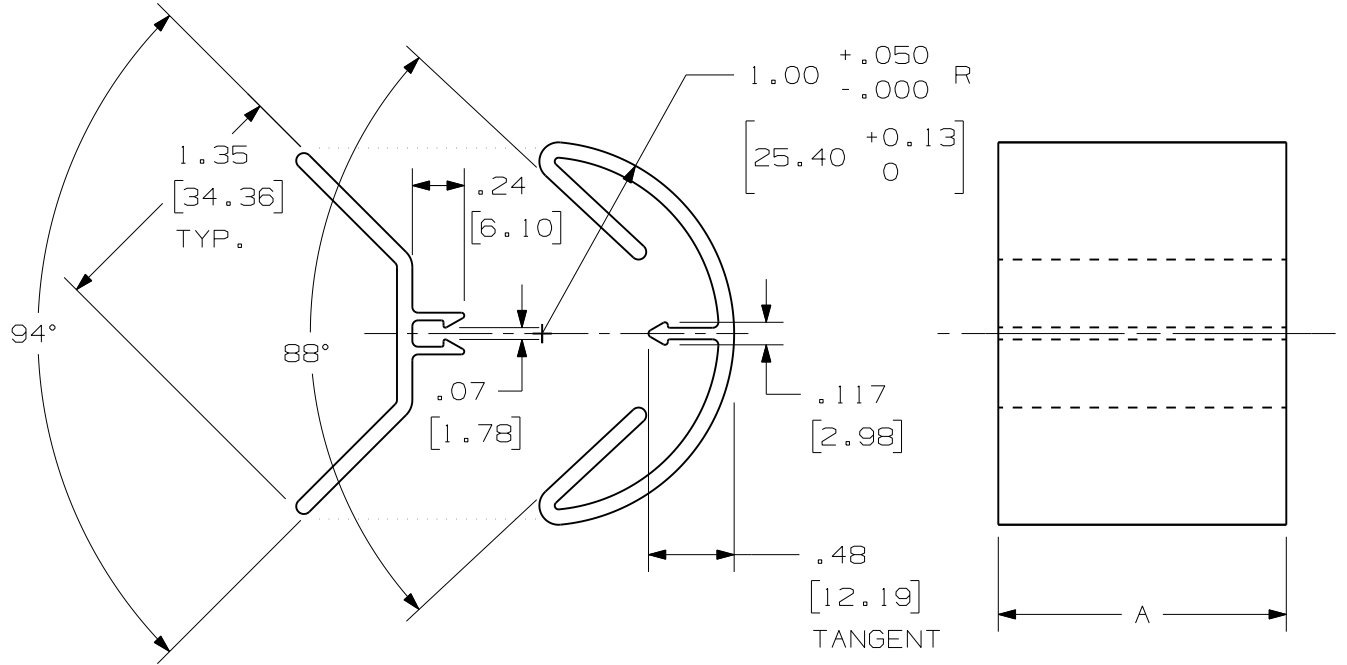


THIS COPY IS PROVIDED ON A RESTRICTED BASIS AND IS NOT TO BE USED IN ANY WAY DETRIMENTAL TO THE INTERESTS OF PANDUIT CORP.



ISOMETRIC VIEW
SCALE: .75X



P/N	LENGTH	
	"A"	TOL.
CSC1**6	72" (1828.8)	+/- .060" (±1.52)



B NOTES:

1. SEE CURRENT CATALOG FOR PART NUMBER DESIGNATIONS FOR TYPE, COLOR, AND LENGTH.
2. IDENTIFICATION: 1" BEND RADIUS CONTROL CORNER.
3. 2-PART ASSEMBLY: (1) INSIDE CORNER AND (1) OUTSIDE CORNER.
4. DIMENSIONS IN PARENTHESIS ARE METRIC.



CAD FILENAME/LAYERS D37355AC_DC_CSC1_CSPC_ASM/02A

PANDUIT CORP. TINLEY PARK, ILLINOIS

1" BEND RADIUS CONTROL
(CSC*/CSPC*-Q)
CUSTOMER DRAWING

UNLESS OTHERWISE SPECIFIED,
DIMENSIONAL TOLERANCES ARE:
(.X) ± (.XXX) ± .010 [.3]
(.XX) ± .03 [.8] ANGLES ± 3°

UNLESS OTHERWISE SPECIFIED,
ALL DIMENSIONS ARE GIVEN
IN INCHES, THIRD ANGLE PROJECTION.

DRAWN BY
JBN
DATE
10-16-00
CHK'D
JKG

MAT'L:
RIGID PVC

SCALE
FULL
DRAWING NO.
37355-03
DWG
A
SIZE

REV	DATE	BY	CHK	DESCRIPTION	ECN	CHK	CUST	SUP
5	5/25/10	LEF	MKBE	G. REMOVED CSC1";CSPC1",1.5",2",3",AND 4" F. CHANGED "HEIGHT" TO "LENGTH"	37355-03	MKBE	MKBE	
4	11-11-09	JCST	MRJS	E. CHANGED "LENGTH" TO "HEIGHT"	37355-03	HIW	HIW	
3	4-12-06	JCST	JKG	D. REV'D LENGTHS & TOLERANCE	37355-03	JKG	JKG	
2	1-9-04	JHNL	JKG	C. DIMENSION WAS 3.44.	37355-03	HIW	HIW	
1	07-23-01	JCST	JKG	B. CHART, NOTES, AND VIEWS CHANGED A. DRAWING SIZE AND TITLE CHANGED	37355-03	JKG	JKG	
R	10-16-00	JBN	JKG	DRAWING RELEASED TO PRODUCTION	37355-03	HIW	HIW	